



NEWMAC EQUIPMENT P/L

NEW & USED MACHINERY SALES

10 STEPHENSON ROAD
 BAYSWATER NORTH 3153
 VICTORIA, AUSTRALIA

PH: (03) 9720 3922
 FAX: (03) 9720 5737
 INTERNATIONAL PH: 6139720 3922
 FAX: 6139720 5737
 EMAIL: sales@newmac.com.au

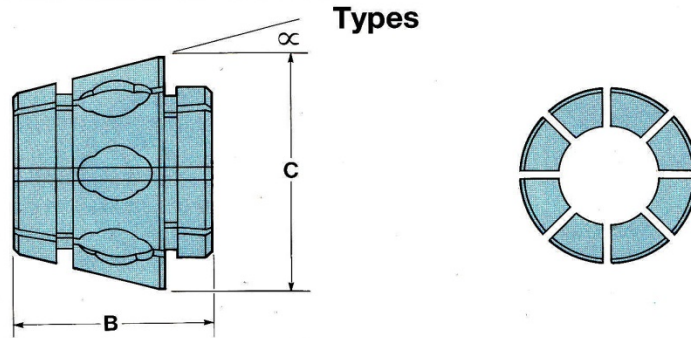
Used Crawford T 980 Multibore Collets

Code No.	Number in stock	Code No.	Number In stock	Code No.	Number in stock
Round		Hexagon		Square	
B1	1	B68	0	B86	0
B2	6	B69	4	B87	0
B3	1	B70	4	B88	3
B4	4	B71	5	B89	1
B5	3	B72	3	B90	3
B6	1	B73	4	B91	1
B7	5	B74	2		
B8	3	B75	0		
B9	0				
Price Round		Price Hexagon		Price Square	
\$175+GST Each		\$200+GST Each		\$225+GST Each	

See chart on next page below for capacity of each size

Wide Range Multibore Collets

2.1



Types

Plain Bore Reference for Ordering:

Inches	Capacity mm	Cat. No. T-980 Code No.			W-850 Code No.			V-120 Code No.			T-285 Code No.			N-175 Code No.		
		○	○	□	○	○	□	○	○	□	○	○	□	○	○	□
1/16 to 3/16	1.58 to 4.76	B.1	B.68	B.86	C.1	C.68	C.86	D.1								
1/8 to 1/4	3.17 to 6.35	B.2	B.69	B.97	C.2	C.69	C.87	D.2	D.69	D.87	E.2	E.69	E.87			
1/4 to 3/8	6.35 to 9.52	B.3	B.70	B.88	C.3	C.70	C.88	D.3	D.70	D.88	E.3	E.70	E.88			
3/8 to 1/2	9.52 to 12.70	B.4	B.71	B.89	C.4	C.71	C.89	D.4	D.71	D.89	E.4	E.71	E.89			
1/2 to 5/8	12.70 to 15.87	B.5	B.72	B.90	C.5	C.72	C.90	D.5	D.72	D.90	E.5	E.72	E.90	F5	F72	F100
5/8 to 3/4	15.87 to 19.05	B.6	B.73	B.91	C.6	C.73	C.91	D.6	D.73	D.91	E.6	E.73	E.91	F6	F73	F101
3/4 to 7/8	19.05 to 22.22	B.7	B.74		C.7	C.74	C.92	D.7	D.74	D.92	E.7	E.74	E.92	F7	F74	F102
7/8 to 1	22.22 to 25.40	B.8	B.75		C.8	C.75	C.93	D.8	D.75	D.93	E.8	E.75	E.93	F8	F75	F103
1 to 1 1/8	25.40 to 28.57	B.9			C.9	C.76	C.94	D.9	D.76	D.94	E.9	E.76	E.94	F9	F76	F104
1 1/8 to 1 1/4	28.57 to 31.75				C.10	C.77	C.95	D.10	D.77	D.95	E.10	E.77	E.95	F10	F77	F105
1 1/4 to 1 1/2	31.75 to 34.92				C.11	C.78		D.11	D.78	D.96	E.11	E.78	E.96	F11	F78	F106
1 1/2 to 1 3/4	34.92 to 38.10				C.12	C.79		D.12	D.79	D.97	E.12	E.79	E.97	F12	F79	F107
1 3/4 to 1 7/8	38.10 to 41.27				C.13			D.13	D.80	D.98	E.13	E.80	E.98	F13	F80	F108
1 7/8 to 1 3/4	41.27 to 44.45				C.14	(39-42mm RD only)		D.14	D.81		E.14	E.81	E.99	F14	F81	F109
1 3/4 to 1 7/8	44.45 to 47.62							D.15	D.82		E.15	E.82		F15	F82	F110
1 7/8 to 2	47.62 to 50.80							D.16	D.83		E.16	E.83		F16	F83	F111
2 to 2 1/8	50.80 to 53.97							D.17			E.17	E.84		F17	F84	F112
2 1/8 to 2 1/4	53.97 to 57.15										E.18	E.85		F18	F85	
2 1/4 to 2 1/2	57.15 to 60.32										E.19			F19	F86	
2 1/2 to 2 1/2	60.32 to 63.50										E.20			F20	F87	
2 1/2 to 2 5/8	63.50 to 66.67										E.21			F21	F88	
2 5/8 to 2 3/4	66.67 to 69.85													F22		
2 3/4 to 2 7/8	69.85 to 73.02													F23		
2 7/8 to 3	73.02 to 76.20													F24		
3 to 3 1/8	76.20 to 79.37													F25		